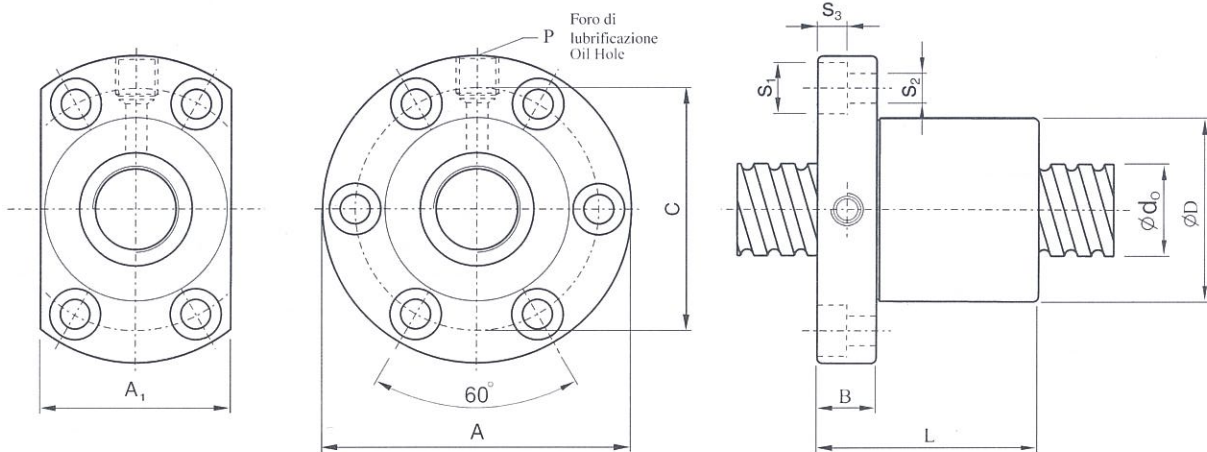
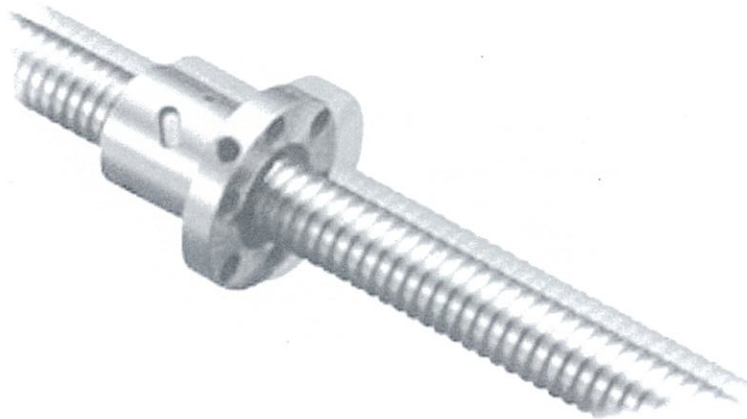




VITI A RICIRCOLO DI SFERE  
BALL SCREWS

Viti a ricircolo di sfere - Ball screws

VFI



Chiocciola sigla Nut	Dimensioni Dimensions													Caratteristiche meccaniche Mechanical characteristics				
	Vite Screw	d <sub>0</sub> [mm]	P <sub>h</sub> [mm] passo lead	d <sub>a</sub> [mm] diametro sfere ball diameter	D [mm]	A [mm]	A <sub>1</sub> [mm]	B [mm]	L [mm]	C [mm]	S <sub>1</sub> [mm]	S <sub>2</sub> [mm]	S <sub>3</sub> [mm]	P foro per lubrificazione oil hole	n Numero circuiti Number of circuits	C <sub>0</sub> [N]	C <sub>0a</sub> [N]	K [N/μm]
VFI 1605	SR 1605	16	5	3.175	30	49	34	10	50	39	8	4.5	4.5	M 6	4	7800	17900	200
VFI 1610	SR 1610	16	10	3.175	34	58	34	10	57	45	9.5	5.5	5.5	M 6	3	8330	12490	150
VFI 2005	SR 2005	20	5	3.175	34	57	40	11	51	45	9.5	5.5	5.5	M 6	4	11300	23800	250
VFI 205T	SR 205T	20	5.08	3.175	34	57	40	11	51	45	9.5	5.5	5.5	M 6	4	11300	23800	250
VFI 2505	SR 2505	25	5	3.175	40	63	46	11	51	51	9.5	5.5	5.5	M 8	4	12800	31100	350
VFI 3205	SR 3205	32	5	3.175	46	72	52	12	52	58	11	6.5	6.5	M 8	4	14500	41500	400
VFI 3210	SR 3210	32	10	6.35	54	88	62	15	90	70	14	9	8.5	M 8	4	33900	71700	400
VFI 4005	SR 4005	40	5	3.175	56	90	64	15	55	72	14	9	8.5	M 8	4	16100	53300	490
VFI 4010	SR 4010	40	10	6.35	62	104	70	18	93	82	17.5	11	11	M 8	4	39100	95200	500
VFI 5010	SR 5010	50	10	6.35	72	114	82	18	93	92	17.5	11	11	M 8	4	44500	125000	650
VFI 6310	SR 6310	63	10	6.35	85	131	95	22	98	107	20	14	13	M 8	4	50700	166000	800
VFI 8010	SR 8010	80	10	6.35	105	150	115	22	98	127	20	14	13	M 8	4	56200	213000	900

I modelli VFI 1610, VFI 2005, VFI 205T, VFI 2505, VFI 3205, VFI 4005, VFI 6310, VFI 8010 sono disponibili anche con filettatura sinistra.

Models no. VFI 1610, VFI 2005, VFI 205T, VFI 2505, VFI 3205, VFI 4005, VFI 6310, VFI 8010 are available with left helix too.